



Blow-off device for ejectors



32.660 enables blow-off with check valve 32.638

Product notes

- > Short cycle times thanks to direct connection to ejectors via M5 external thread
- > Suitable, e.g. for inline ejectors EIL, expandable

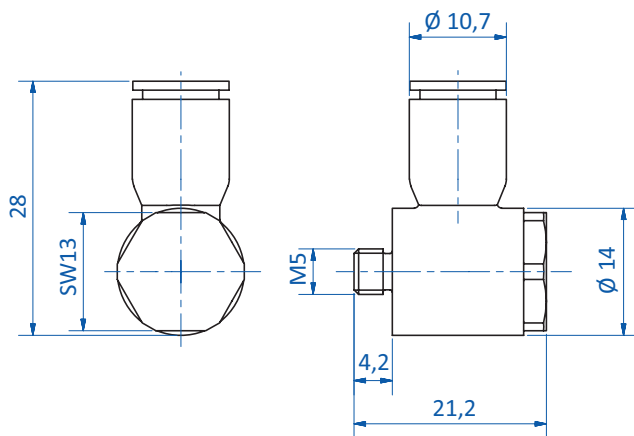
Notes

- > Blow-off device is part of check valve 32.638 with blow-off function

Technical data

Item no.	Plug connection [mm]	Blow-off capacity at 5 bar (72.5 psi) [NI/min]
32.660	6	100

Dimensions



Wiring diagram

