



Valve technology | Solenoid valves for vacuum

3/2-way solenoid vacuum valves, pneumatically supported with spring reset

3/2-way solenoid vacuum valves, pneumatically supported with spring reset



36.210 | 36.211



36.515 to 36.525

Product notes

- > Suction, blow-off, ventilation of vacuum cups
- > High suction power at small construction for short evacuation times and fast vacuum build-up
- > Short switching times
- > Function: NC/NO as vacuum supply and blow-off / ventilation inlets can be exchanged
- > NO: Safe gripping of workpiece during power failure
- > Robust and lightweight housing
- > 36.210 and 36.211: Coil and DIN plug included in scope of delivery
- > 36.515 to 36.525: Delivery without coil and plug; please order: Power consumption: 24 VDC: 5 W, 230 VAC: 5 VA

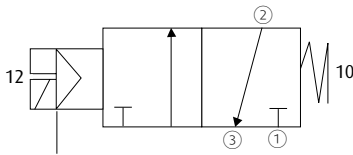
Technical data

Item no.	Nominal width [mm]	Nominal flow rate [m ³ /h]	Pressure range [bar (psi)]	Operating principle	Control pressure [bar (psi)]	Switching time [ms]	Material	Operating temperature [°C (°F)]	Weight [g]	Suitable accessories
36.210	10	10	-0.99 - 0 (-14.4 - 0)	NC	2.5 (36.3)	22	Aluminum anodized	-5 - 50 (23 - 122)	360	--
36.211	10	10	-0.99 - 0 (-14.4 - 0)	NO	2.5 (36.3)	22	Aluminum anodized	-5 - 50 (23 - 122)	360	--
36.515	15	20	-0.99 - 0 (-14.4 - 0)	NO/NC	2.5 (36.3)	90	High resistant, fiber-glass reinforced Polyarylamide (IXEF®)	-5 - 50 (23 - 122)	390	Solenoid coil: 10.0058/230VAC Solenoid coil: 10.0052/24VDC Plug: 10.006
36.520	20	40	-0.99 - 0 (-14.4 - 0)	NO/NC	2.5 (36.3)	90	High resistant, fiber-glass reinforced Polyarylamide (IXEF®)	-5 - 50 (23 - 122)	370	Solenoid coil: 10.0058/230VAC Solenoid coil: 10.0052/24VDC Plug: 10.006
36.525	25	90	-0.99 - 0 (-14.4 - 0)	NO/NC	2.5 (36.3)	90	High resistant, fiber-glass reinforced Polyarylamide (IXEF®)	-5 - 50 (23 - 122)	500	Solenoid coil: 10.0058/230VAC Solenoid coil: 10.0052/24VDC Plug: 10.006



Wiring diagrams

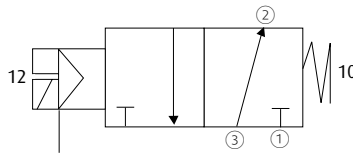
NO: Normally open



Assignment:

- ① = P (Ventilation (Blow-off))
- ② = A (Product side)
- ③ = R (Vacuum supply)

NC: Normally closed



Assignment:

- ① = P (Vacuum supply)
- ② = A (Product side)
- ③ = R (Ventilation (Blow-off))

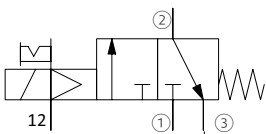
Pilot valve



- > Manual mode for functional test: Setscrew in zero position
- > Automatic mode: Setscrew in position "1"

Wiring diagram: how to combine vacuum valve with pneumatic control valve for blow-off

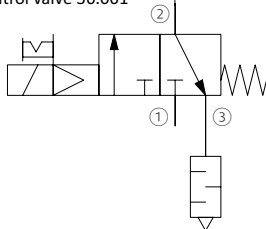
Vacuum valve 36.520



Assignment

- ① Vacuum supply
- ② Product side
- ③ Ventilation (Blow-off)

Control valve 36.061



Assignment

- ① Compressed air inlet
- ② Compressed air output
- ③ Use of silencer (e.g. 72.016): this connects valve to atmospheric pressure and enables release of product in case of failure of compressed air line

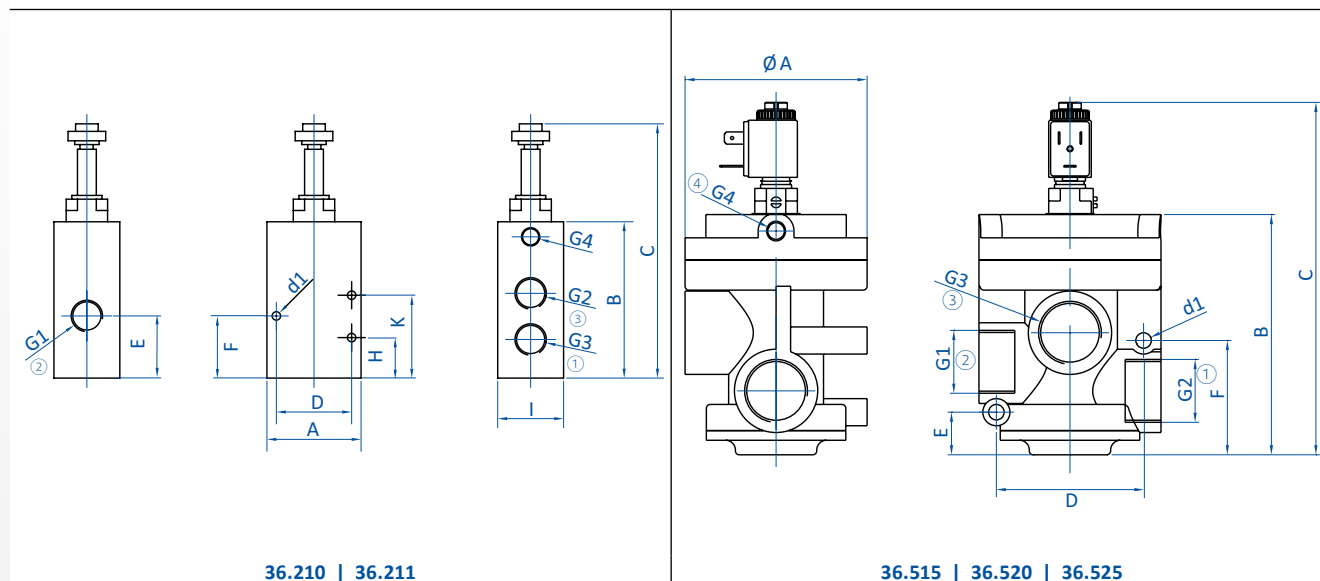
Application example: 3/2-way vacuum valves 36.520 with control valve 36.061



Valve technology | Solenoid valves for vacuum

3/2-way solenoid vacuum valves, pneumatically supported with spring reset

Dimensions



① = Vacuum supply / Ventilation (Blow-off) ② = Product side ③ = Ventilation (Blow-off) / Vacuum supply ④ = Control pressure connection

Item no.	G1	G2	G3	G4	Ø A [mm]	A [mm]	B [mm]	C [mm]	D [mm]	d1 [mm]	E [mm]	F [mm]	H [mm]	I [mm]	K [mm]
36.210	G3/8	G3/8	G3/8	G1/8	--	50	83	137	40	4.5	33	32.8	22.5	35	44
36.211	G3/8	G3/8	G3/8	G1/8	--	50	83	137	40	4.5	33	32.8	22.5	35	44
36.515	G1/2	G1/2	G1/2	G1/8	75	--	101	155	63	6.5	22.5	55	--	--	--
36.520	G3/4	G3/4	G3/4	G1/8	75	--	101	155	63	6.5	22.5	55	--	--	--
36.525	G1	G1	G1	G1/8	92	--	114.5	168.5	63	6.9	22	58	--	--	--