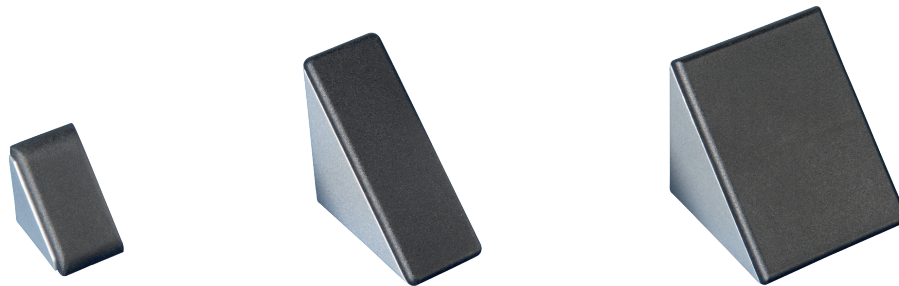




### Angle connectors 90° with cover



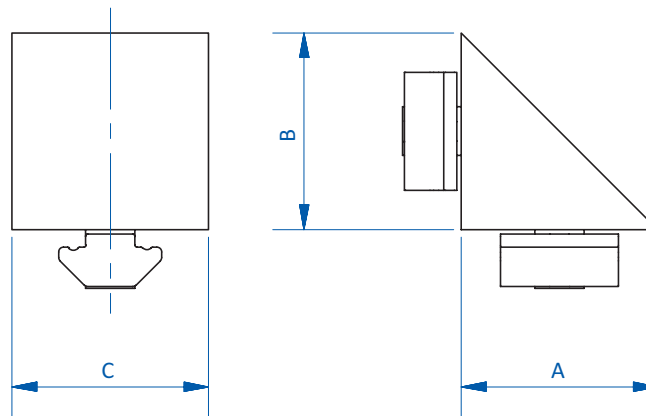
#### Product notes

> Elements for connection of two extrusions

#### Technical data

Item no.	Weight [g]	Suitable for extrusion system
GR01.050	20	SLine / MLine
GR01.051	60	SLine / MLine
GR01.052	150	XLine
GR01.053	270	XLine

#### Dimensions



Item no.	A [mm]	B [mm]	C [mm]
GR01.050	20	20	20
GR01.051	41.5	41.5	20
GR01.052	40	40	40
GR01.053	77.5	77.5	38.5