



### Profile end connectors 90°



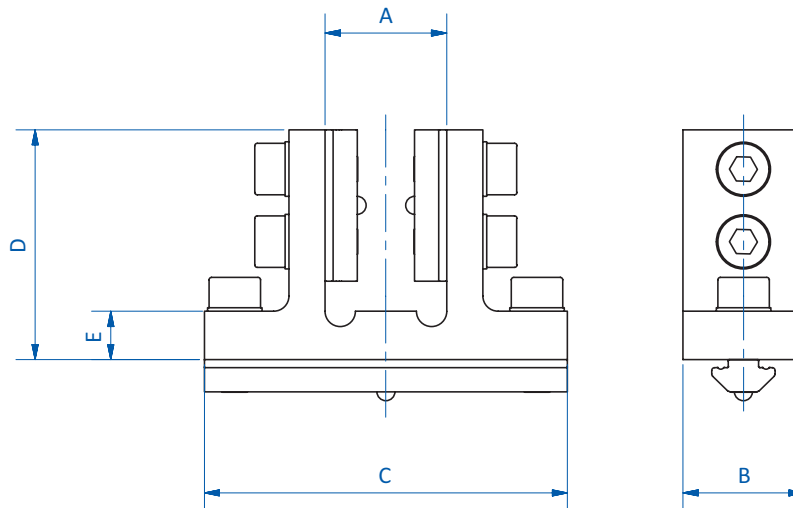
#### Product notes

- > Rigid 90° connection between two extrusions
- > No thread cutting required

#### Technical data

Item no.	Suitable for extrusion system	Weight [g]
<b>GR01.120</b>	SLine / MLine	92
<b>GR01.121</b>	SLine / MLine	90
<b>GR01.122</b>	SLine / MLine	96
<b>GR01.123</b>	SLine / MLine	100
<b>GR-XL01.025</b>	XLine	406
<b>GR-XL01.026</b>	XLine	396

#### Dimensions



Item no.	A [mm]	B [mm]	C [mm]	D [mm]	E [mm]
<b>GR01.120</b>	20	20	60	38	8
<b>GR01.121</b>	40	20	80	38	8
<b>GR01.122</b>	25	25	60	37	7
<b>GR01.123</b>	50	25	90	37	7
<b>GR-XL01.025</b>	40	40	110	47	12
<b>GR-XL01.026</b>	80	40	150	47	12