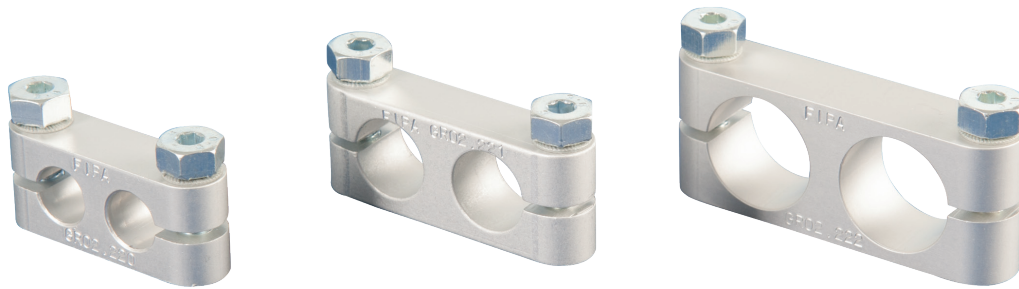




Parallel clamps



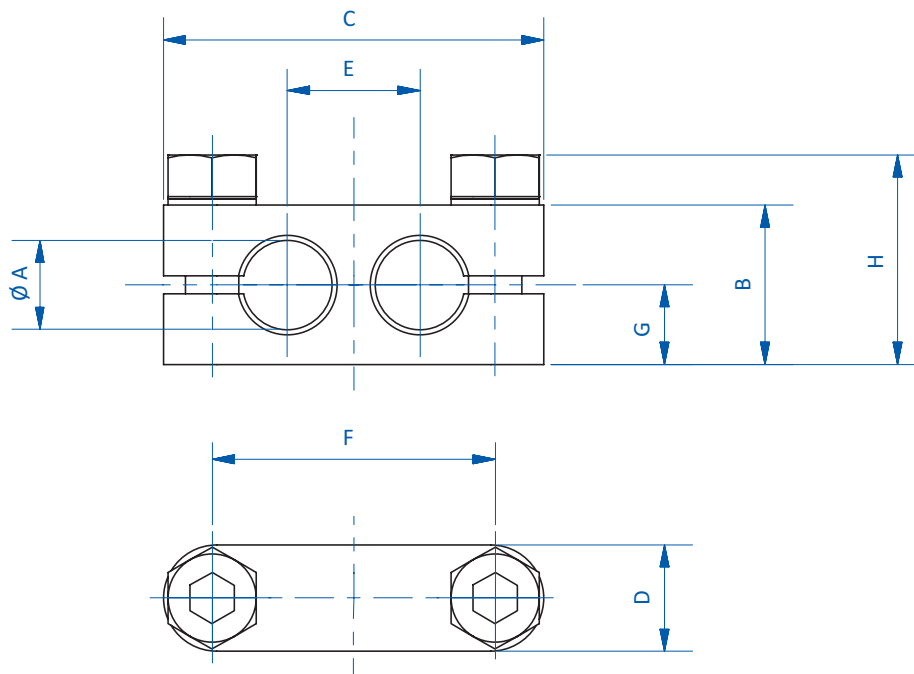
Product notes

> Parallel connection of two clamping shafts

Technical data

Item no.	Clamping \varnothing [mm]	Weight [g]
GR02.220	10	30
GR02.221	14	35
GR02.222	20	60
GR02.224	30	90.5

Dimensions



Item no.	\varnothing A [mm]	B [mm]	C [mm]	D [mm]	F [mm]	E [mm]	G [mm]	H [mm]
GR02.220	10	18	43	12	32	15	9	23.7
GR02.221	14	20	52	12	41	20	10	25.7
GR02.222	20	25	64	14	53	26	12.5	30.7
GR02.224	30	35	88	20	77	38	17.5	42