



### Inductive sensors



#### Product notes

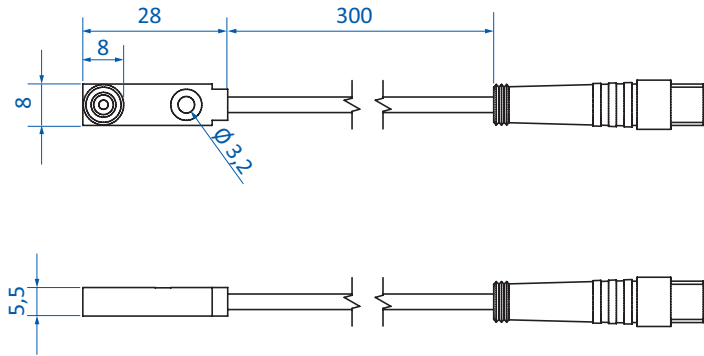
- > PNP or NPN switching functions
- > Integrated control LED

#### Technical data

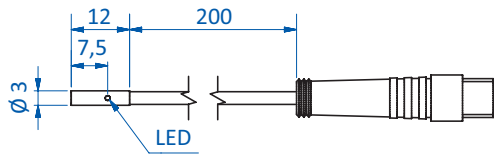
Item no.	Switching output	Type	Operating voltage [VDC]	Max. switching current [mA]	Protection class	Switching distance [mm]	Cable length [mm]	Electric connection	Operating temperature [°C (°F)]	Weight [g]	Accessories
<b>GS04.001</b>	PNP	rectangular	10 - 30	100	IP67	2	200	3-pin male M8 connector	-20 - 70 (-4 - 158)	38	Connecting cable: 20.503 Connecting cable: 20.507 Extension cable: 20.504 Extension cable: 20.570
<b>GS04.002</b>	NPN	rectangular	10 - 30	100	IP67	2	200	3-pin male M8 connector	-20 - 70 (-4 - 158)	38	Connecting cable: 20.503 Connecting cable: 20.507 Extension cable: 20.504 Extension cable: 20.570
<b>GS04.007</b>	PNP	barrel	10 - 30	100	IP67	1	200	3-pin male M8 connector	-20 - 70 (-4 - 158)	16	Connecting cable: 20.503 Connecting cable: 20.507 Extension cable: 20.504 Extension cable: 20.570
<b>GS04.008</b>	NPN	barrel	10 - 30	100	IP67	1	200	3-pin male M8 connector	-20 - 70 (-4 - 158)	16	Connecting cable: 20.503 Connecting cable: 20.507 Extension cable: 20.504 Extension cable: 20.570
<b>GS04.009</b>	PNP	barrel	10 - 30	200	IP67	0.8	300	3-pin male M8 connector	-20 - 70 (-4 - 158)	13	Connecting cable: 20.503 Connecting cable: 20.507 Extension cable: 20.504 Extension cable: 20.570
<b>GS04.010</b>	NPN	barrel	10 - 30	200	IP67	0.8	300	3-pin male M8 connector	-20 - 70 (-4 - 158)	13	Connecting cable: 20.503 Connecting cable: 20.507 Extension cable: 20.504 Extension cable: 20.570
<b>GR04.193P</b>	PNP	barrel	10 - 30	200	IP67	0.8	2,000	3-pin, unterminated cable	-20 - 70 (-4 - 158)	25	Plug connector: 20.527
<b>GR04.193N</b>	NPN	barrel	10 - 30	200	IP67	0.8	2,000	3-pin, unterminated cable	-20 - 70 (-4 - 158)	25	Plug connector: 20.527



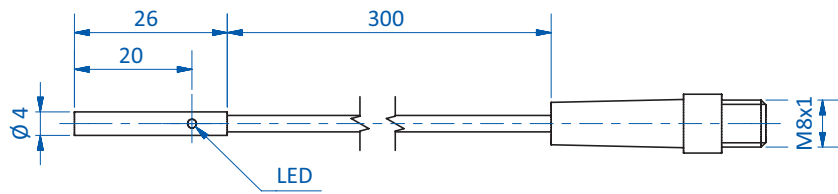
Dimensions



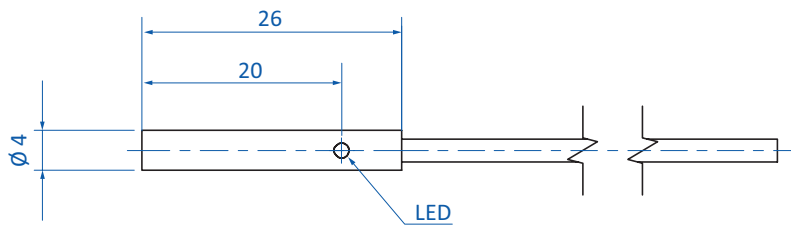
GS04.001 | GS04.002



GS04.007 | GS04.008



GS04.009 | GS04.010



GR04.193P | GR04.193N