



# Grippers | Sprue grippers

Series 2016 – sprue grippers, with direct sensing

## Series 2016 – sprue grippers, with direct sensing



### Product notes

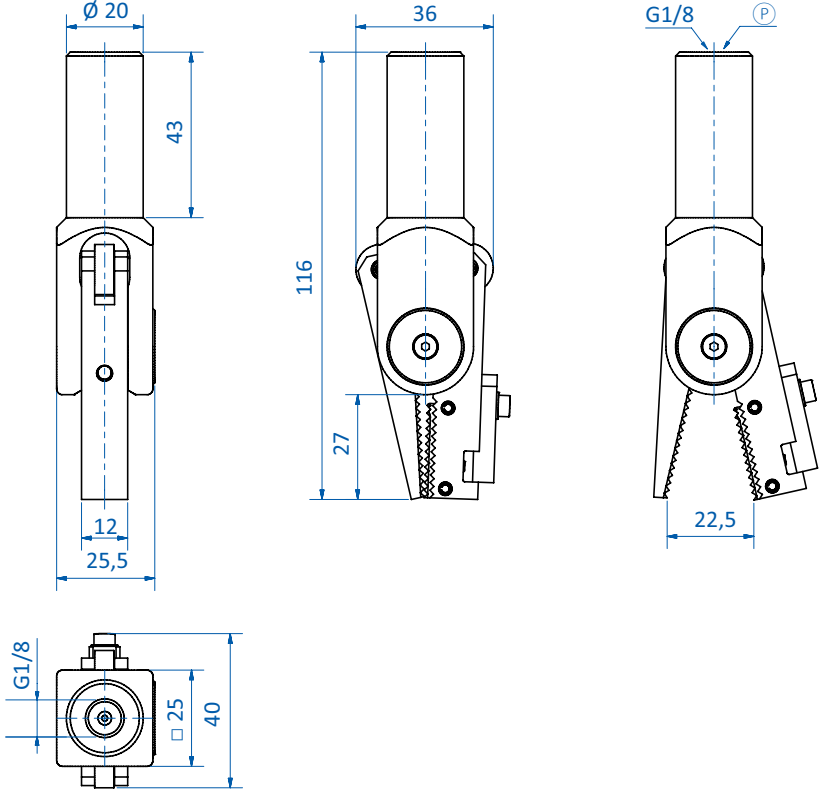
- > Clamping diameter 20 mm
- > Grippers with wide opening jaws and high gripping force
- > Self-centering
- > Large area sensor activation, regardless of sprue position
- > Easy assembly/disassembly of the gripper jaws
- > Jaws made of zinc-plated steel
- > Body and jaws made of anodized aluminum
- > GR04.2016HC and GR04.2016HC/NPN with replaceable HNBR pads for gentle handling
- > Principle of operation: single-acting
- > Medium: filtered and oiled/unooled air
- > Ambient air temperature: -20°C to +80°C (-4 °F to 176 °F)

### Technical data

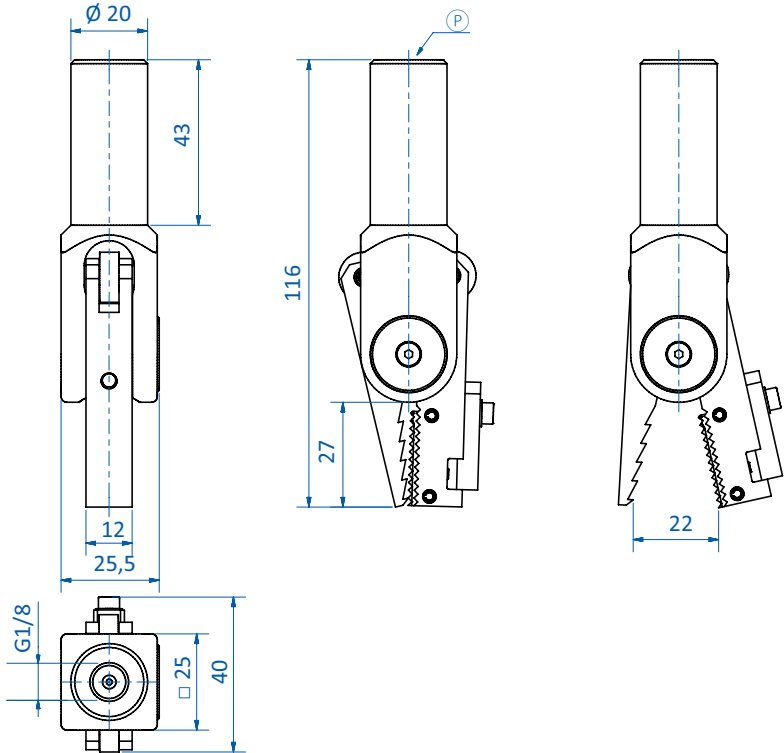
Item no.	Jaw	Max. operating pressure [bar (psi)]	Sensor	Closing force at 6 bar (87 psi) [N]	Weight [g]	Accessories
<b>GR04.2016RC</b>	Standard	6 (87)	PNP, direct monitoring	52	165	Sensor: GS04.001 Connector cable: 20.503
<b>GR04.2016RC/NPN</b>	Standard	6 (87)	NPN, direct monitoring	52	165	Sensor: GS04.002 Connector cable: 20.503
<b>GR04.2016SC</b>	Sawtooth jaws straight	6 (87)	PNP, direct monitoring	52	168	Sensor: GS04.001 Connector cable: 20.503
<b>GR04.2016SC/NPN</b>	Sawtooth jaws straight	6 (87)	NPN, direct monitoring	52	168	Sensor: GS04.002 Connector cable: 20.503
<b>GR04.2016HC</b>	HNBR Pad	6 (87)	PNP, direct monitoring	52	156	Sensor: GS04.001 Connector cable: 20.503 Set of HNBR pads: KIT-GR04.2016HNBR
<b>GR04.2016HC/NPN</b>	HNBR Pad	6 (87)	NPN, direct monitoring	52	156	Sensor: GS04.002 Connector cable: 20.503 Set of HNBR pads: KIT-GR04.2016HNBR



Dimensions



GR04.2016RC | GR04.2016RC/NPN



GR04.2016SC | GR04.2016SC/NPN

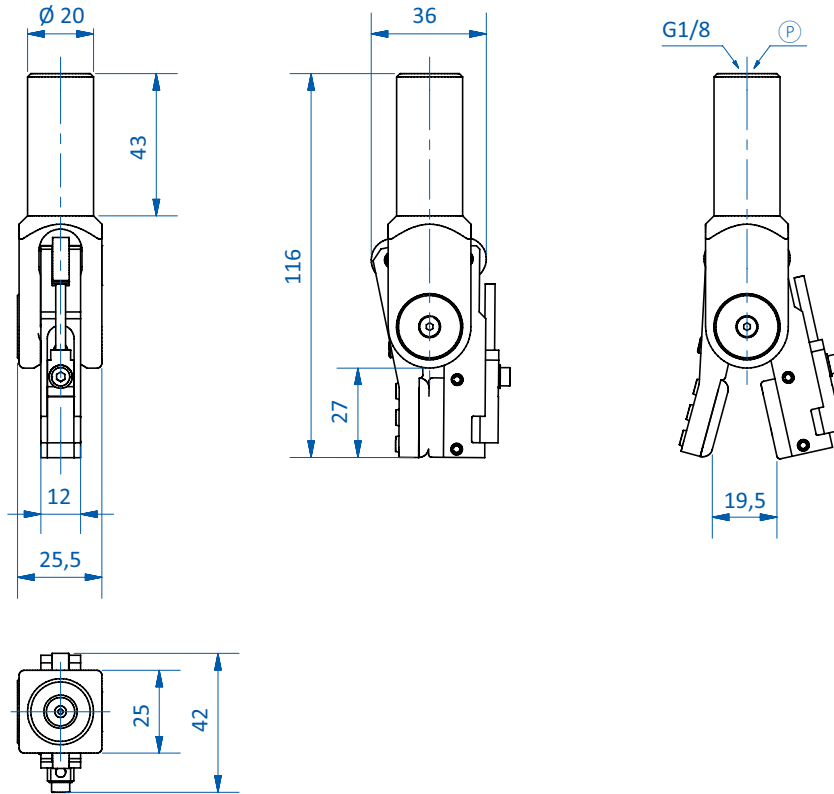
Ⓟ = Compressed air connection



# Grippers | Sprue grippers

Series 2016 – sprue grippers, with direct sensing

## Dimensions



GR04.2016HC | GR04.2016HC/NPN

Ⓟ = Compressed air connection