



Clamps for Plate-based EOAT



SUITABLE FOR PLATE-BASED EOAT

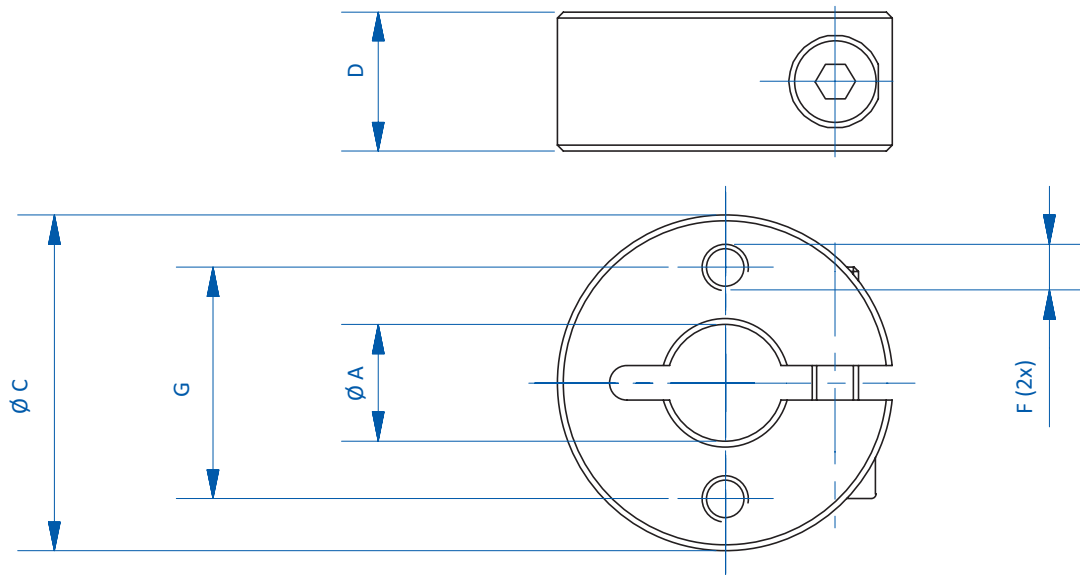
Product notes

> Clamps for mounting gripper components to plate-based EOAT

Technical data

Item no.	Weight [g]
GR06.060	16
GR06.061	24
GR06.062	82
GR06.063	138

Dimensions



Item no.	Ø A [mm]	F	G [mm]	Ø C [mm]	D [mm]
GR06.060	10	M4	20	29	12
GR06.061	14	M5	25	34	15
GR06.062	20	M6	32	49	22.5
GR06.063	30	M8	45	59	30