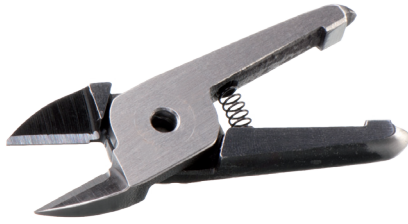




### Blades for plastic, straight



#### Product notes

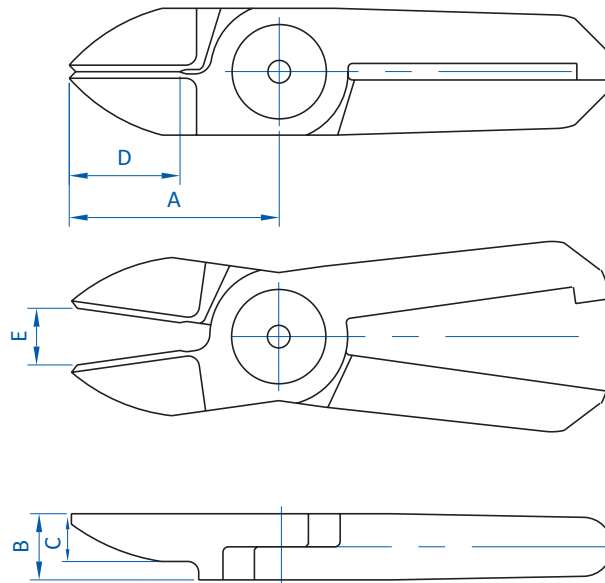
- > Blades with straight cutting edge for clean cuts
- > AJ, LAB2 and AB39: standard blade
- > AJL: blade extra long

#### Technical data

Item no.	Material	Max. cutting thickness [mm]		Weight [g]	Air nippers
		PP/PE	ABS		
<b>N3AJ</b>	Ferrous alloy	2	--	40	GT-N3 GT-NR3 GT-NS3
<b>N10LAB2</b>	Ferrous alloy	4	2.6	120	GT-NR10L GT-NS10L
<b>N20AJ</b>	Ferrous alloy	7	5	125	GT-N20 GT-NS20 GT-NR20
<b>N20AB39</b>	Ferrous alloy	7	5	185	GT-N20 GT-NS20
<b>N20AJL</b>	Ferrous alloy	7	5	230	GT-N20 GT-NR20 GT-NS20
<b>N30AJ</b>	Ferrous alloy	10	6.5	370	GT-N30 GT-NR30 GT-NS30
<b>N30AJL</b>	Ferrous alloy	10	6.5	470	GT-N30 GT-NR30 GT-NS30
<b>N50AJL</b>	Ferrous alloy	15	8	1,430	GT-N50 GT-NR50



## Dimensions



Item no.	A [mm]	B [mm]	C [mm]	D [mm]	E [mm]
N3AJ	24	7	4	12	5.5
N10LAB2	61	12	7	36	10
N20AJ	35	12	8	18	11
N20AB39	61	12	7	36	14
N20AJL	65	12	7	20	16
N30AJ	52	17	8	28	11
N30AJL	75	17	8	25	19
N50AJL	110	25	15	35	26