



Blades for plastic, straight



### Product notes

- > Straight blades that can be applied at the right angle to the gate
- > Models with a variety of cutting edges to cover different applications
- > AJ: standard blade
- > RAJ: reverse cutting edge if cutting flush to workpiece with blade "AJ" is not possible
- > AJT: blade extra thin
- > AJL: blade extra long to overcome distance between sprue and nipper
- > AJB:
  - Soldered carbide tips for cutting hard plastics or plastics containing fiberglass
  - Higher lifetime in demanding applications

### Technical data

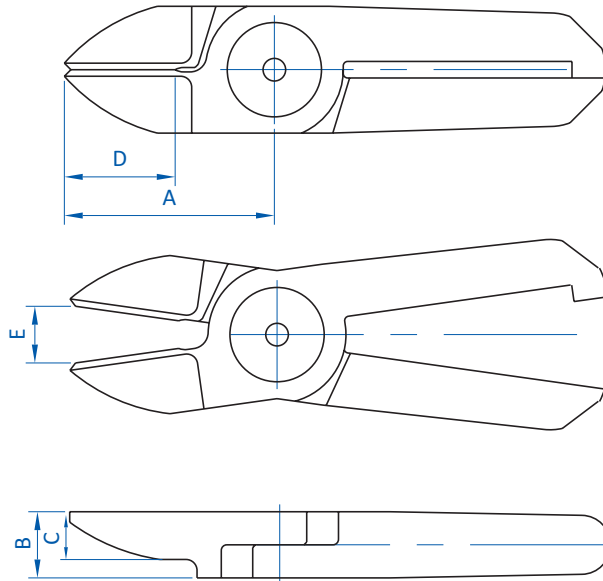
Item no.	Material	Max. cutting thickness [mm]		Weight [g]	Air nippers
		PP/PE	ABS		
<b>NY05AJ</b>	Ferrous alloy	3	2	22	GT-NF05, GT-NY05, GT-NY05-4
<b>NY05AJB</b>	Ferrous alloy	3	2	22	GT-NF05, GT-NY05, GT-NY05-4
<b>NY05AJL</b>	Ferrous alloy	3	2	29	GT-NF05, GT-NY05, GT-NY05-4
<b>NY05AJT</b>	Ferrous alloy	3	2	21	GT-NF05, GT-NY05, GT-NY05-4
<b>NY05RAJ</b>	Ferrous alloy	3	2	22	GT-NF05, GT-NY05-4, GT-NY05R, GT-NY05R-4
<b>NY10AJ</b>	Ferrous alloy	3.5	2.3	28	GT-NF10, GT-NY10, GT-NY10-4
<b>NY10AJB</b>	Sintered alloy	3.5	2.3	28	GT-NF10, GT-NY10-4, GT-NY10R
<b>NY10AJL</b>	Ferrous alloy	3.5	2.3	37	GT-NF10, GT-NY10, GT-NY10-4
<b>NY10AJT</b>	Ferrous alloy	3.5	2.3	26	GT-NF10, GT-NY10, GT-NY10-4
<b>NY10RAJ</b>	Ferrous alloy	3.5	2.3	28	GT-NF10, GT-NY10R, GT-NY10R-4
<b>NY15AJ</b>	Ferrous alloy	4	2.6	41	GT-NF15, GT-NY15, GT-NY15-4
<b>NY15AJB</b>	Sintered alloy	4	2.6	41	GT-NF15, GT-NY15-4, GT-NY15R
<b>NY15AJL</b>	Ferrous alloy	4	2.6	50	GT-NF15, GT-NY15, GT-NY15-4
<b>NY15RAJ</b>	Ferrous alloy	4	2.6	41	GT-NF15, GT-NY15R, GT-NY15R-4
<b>NY15AJT</b>	Ferrous alloy	4	2.6	38	GT-NF15, GT-NY15, GT-NY15R-4
<b>NY25AJ</b>	Ferrous alloy	5	3.4	77	GT-NY25, GT-NY25-6
<b>NY25RAJ</b>	Ferrous alloy	5	3.4	77	GT-NY25, GT-NY25R-6
<b>NY25AJB</b>	Sintered alloy	5	3.4	77	GT-NY25, GT-NY25R-6
<b>NY25AJL</b>	Ferrous alloy	5	3.4	88	GT-NY25, GT-NY25-6



# Nipper technology | Air nippers – stationary

Blades for plastic, straight

## Dimensions



Item no.	A [mm]	B [mm]	C [mm]	D [mm]	E [mm]
NY05AJ	22	7	5	10.5	4
NY05AJB	22	7	5	10.5	4
NY05AJL	31	7	5	10.5	5.5
NY05AJT	22	7	3	10.5	4
NY05RAJ	22	7	5	10.5	4
NY10AJ	24	7.2	5	12	6
NY10AJB	24	7.2	5	12	6
NY10AJL	33	7.2	5	12	8
NY10AJT	24	7.2	3	12	6
NY10RAJ	24	7.2	5	12	6
NY15AJ	27	8.2	5.5	13	8
NY15AJB	27	8.2	5.5	13	8
NY15AJL	38	8.2	5.5	13	11
NY15RAJ	27	8.2	5.5	13	8
NY15AJT	27	8.2	3.5	13	8
NY25AJ	31	10	6	16	9
NY25RAJ	31	10	6	16	9
NY25AJB	31	10	6	16	9
NY25AJL	46	10	6	16	13