



Heavy-duty flat vacuum suction plates – SFPL-D




**Product description**

Heavy-duty vacuum suction plate for both smooth and rough surfaces such as metal sheets, cut marble, granite, precast concrete, metal plates or rough-sawn wood. Central mounting connection - lateral vacuum port.

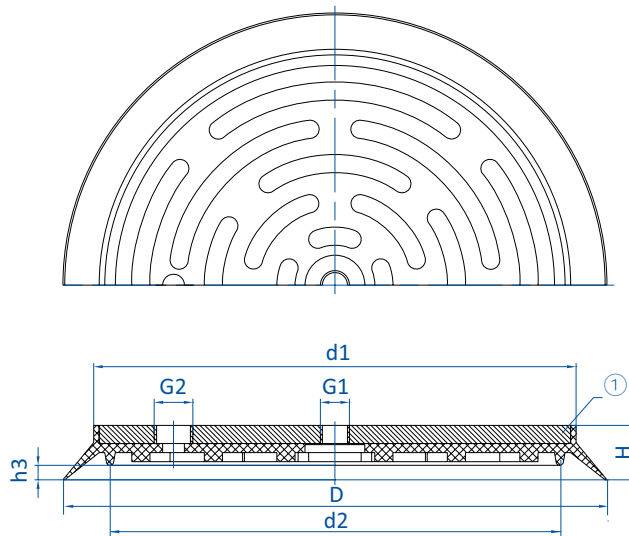
**Advantage**

- > Vulcanized steel carrier plate allows lifting of very heavy loads
- > Secure gripping of uneven surfaces thanks to additional inner sealing lip
- > Lateral vacuum connection

**Technical data**

Item no.	Model / Lip dimensions	Connection thread		Weight [g]	Material / Colour
152.160.127.*	SFPL-D-160	M12-female	9	970	CR (sw)
152.200.128.*	SFPL-D-200	M12-female	9	1,741	CR (sw)
152.250.129.*	SFPL-D-250	M12-female	9	2,990	CR (sw)
152.300.130.*	SFPL-D-300	M16-female	12	4,370	NBR (sw)
152.350.131.*	SFPL-D-350	M16-female	13	6,274	NBR (sw)

**Dimensions**



① = Steel

Item no.	Ø D [mm]	Ø d1 [mm]	Ø d2 [mm]	G1	G2	H [mm]	h3 [mm]
152.160.127.*	160	124	109	M12	G3/8	28	9
152.200.128.*	200	166	146	M12	G3/8	27	7.5
152.250.129.*	250	212	194	M12	G3/8	27	7
152.300.130.*	300	266	248	M16	G1/2	30	8
152.350.131.*	350	316	298	M16	G1/2	30	8