



Series | Flat vacuum cups SF

Flat XXL-suction rings – SFR


Flat XXL-suction rings – SFR



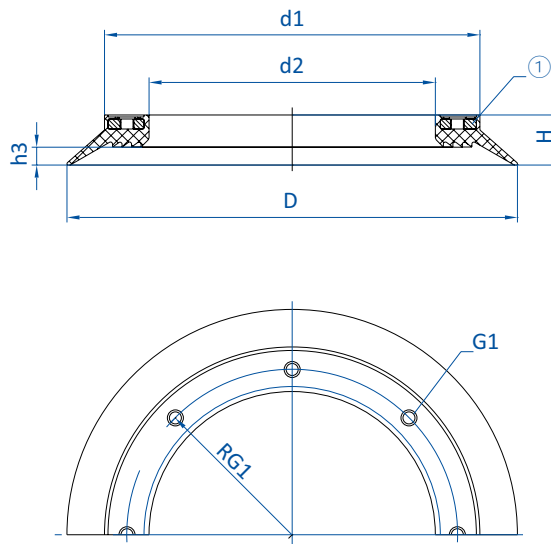
Product description

Large flat suction seals vulcanized on steel ring for handling very large loads. Mounting through circular, circumferentially placed thread holes.

Technical data

| Item no. | Material / Colour |  |
|----------------|-------------------|---|
| 152.285.099._* | NBR (sw) | 11 |
| 152.450.105._* | NBR (sw) | 18 |
| 152.540.106._* | NBR (sw) | 18 |
| 152.630.107._* | NBR (sw) | 18 |
| 152.720.108._* | NBR (sw) | 18 |
| 152.920.109._* | NBR (sw) | 18 |

Dimensions



① = Ring made of vulcanized steel

| Item no. | Ø D [mm] | Ø d1 [mm] | Ø d2 [mm] | G1 | R G1 | H [mm] | h3 [mm] |
|----------------|----------|-----------|-----------|--------|-------|--------|---------|
| 152.285.099._* | 285 | 250 | 160 | 4xM12 | 102.5 | 32 | 11 |
| 152.450.105._* | 450 | 375 | 286 | 8xM12 | 165 | 50 | 18 |
| 152.540.106._* | 540 | 465 | 375 | 8xM12 | 210 | 50 | 18 |
| 152.630.107._* | 630 | 556 | 464 | 12xM12 | 255 | 50 | 18 |
| 152.720.108._* | 720 | 646 | 554 | 12xM12 | 300 | 50 | 18 |
| 152.920.109._* | 920 | 846 | 754 | 12xM12 | 400 | 50 | 18 |