



Series | Oval vacuum cups SO

High temperature Thermalon® oval cups – SKT-O

High temperature Thermalon® oval cups – SKT-O

UP TO 160 °C (320 °F) & MINIMUM MARKING



Product description

Oval vacuum cups for smooth surfaces suitable for removing hot plastic parts to be painted from an injection molding machine. Thermalon® is a material mixture specially optimized for the plastics industry with a hardness of 60° Shore A. Connection via plug-in nipple.

Advantage

- > Extremely low-marking
- > Free of silicone and other paint-wetting-impairment substances (PWIS)
- > Significantly increased suction force compared to round vacuum cups of the same width
- > Soft sealing lip also allows adhesion to curved products

Ordering notes:

From size 24x8 mm upward, a gripper clamp (available separately) is recommended to prevent inadvertent rotation.

Technical data

Item no.	Model / Lip dimensions	Lip height	Material / Colour	Usage temperature [°C (°F)]
132.4x2.079.*	SKT-O-4x2	0.4	Thermalon® (bl)	0 - 160 (32 - 320)
132.7x4.080.*	SKT-O-7x4	0.5	Thermalon® (bl)	0 - 160 (32 - 320)
132.15x5.081.*	SKT-O-15x5	0.6	Thermalon® (bl)	0 - 160 (32 - 320)
132.18x6.082.*	SKT-O-18x6	1	Thermalon® (bl)	0 - 160 (32 - 320)
132.24x8.083.*	SKT-O-24x8	1	Thermalon® (bl)	0 - 160 (32 - 320)
132.30x10.084.*	SKT-O-30x10	1	Thermalon® (bl)	0 - 160 (32 - 320)
132.45x15.085.*	SKT-O-45x15	2	Thermalon® (bl)	0 - 160 (32 - 320)
132.60x20.086.*	SKT-O-60x20	2.5	Thermalon® (bl)	0 - 160 (32 - 320)
132.75x25.087.*	SKT-O-75x25	2.5	Thermalon® (bl)	0 - 160 (32 - 320)

Accessories

Clamp:

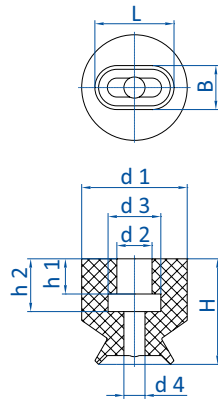
Accessories

Item no.	Suitable fittings						
	M3-male	M4-male	M5-male	G1/8-male	G1/8-female	G1/4-male	G1/4-female
132.4x2.079.*	270.014	270.111	270.300	--	--	--	--
132.7x4.080.*	270.014	270.111	270.300	--	--	--	--
132.15x5.081.*	--	--	270.094	270.095	270.096	--	--
132.18x6.082.*	--	--	270.094	270.095	270.096	--	--
132.24x8.083.*	--	--	270.094	270.095	270.096	--	--
132.30x10.084.*	--	--	270.094	270.095	270.096	--	--
132.45x15.085.*	--	--	--	--	--	270.097	270.098
132.60x20.086.*	--	--	--	--	--	270.097	270.098
132.75x25.087.*	--	--	--	--	--	270.097	270.098

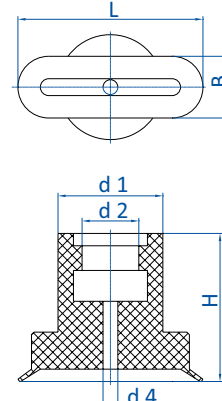
* When ordering please add the appropriate material code to item no. You will find it on www.fipa.com.



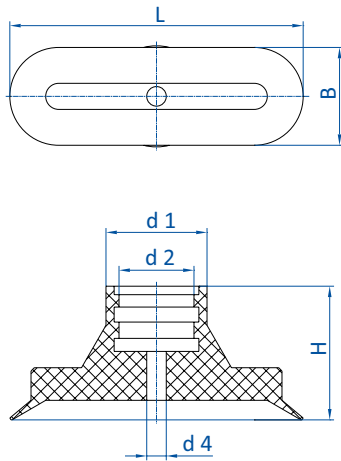
Dimensions



Drawing A



Drawing B



Drawing C

Item no.	Drawing	L [mm]	B [mm]	Ø d1 [mm]	Ø d2 [mm]	Ø d3 [mm]	Ø d4 [mm]	H [mm]
132.4x2.079._*	A	4.5	2.5	6	2	3	1.2	6
132.7x4.080._*	A	7	3.5	6	2	3	1.4	6
132.15x5.081._*	B	15	5	8.5	4.6	--	1.2	12
132.18x6.082._*	B	18	6	8.5	4.6	--	1.5	12
132.24x8.083._*	B	24	8	11.5	5.5	--	1.5	12
132.30x10.084._*	B	30	10	11.5	5.5	--	2.5	12
132.45x15.085._*	C	45	15	15.5	11.5	--	3	21
132.60x20.086._*	C	60	20	15.5	11.5	--	4	21
132.75x25.087._*	C	75	25	17.5	11.5	--	4	21

* When ordering please add the appropriate material code to item no. You will find it on www.fipa.com.