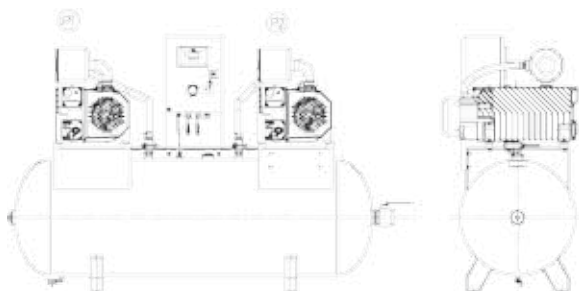




Vacuum generation | Vacuum units

Vacuum units with two pumps

Vacuum units with two pumps



Product notes

- > Centralized vacuum supply with two pumps and horizontal buffer tank
- > Redundant system that enables maintenance work to be done during operation

Ordering notes

Included in scope of delivery:

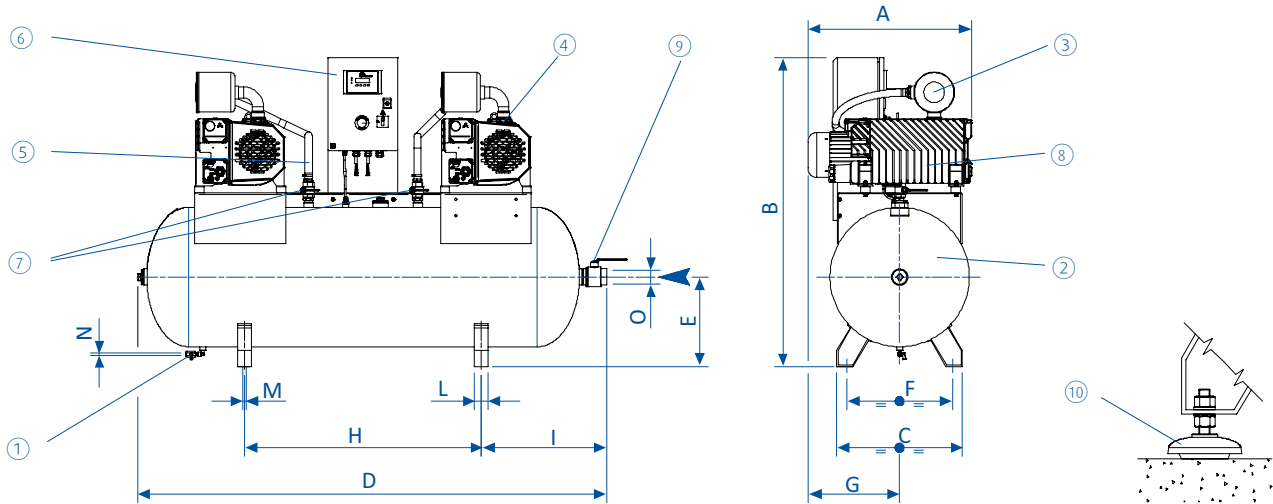
- > Two oil-lubricated rotary vane pumps with integrated oil mist separator at the outlet
- > Integrated non-return valve at the suction inlet to maintain the vacuum at standstill
- > Horizontal vacuum tank with condensate discharge valve
- > Two manual valves at the tank inlet to separate the pump from the system for maintenance
- > Particle filter to protect the pump
- > Control panel (400 VAC, 50/60 Hz) with current protection, pressure sensor and PLC for manual and automatic operation
- > Switching cabinet IP 55
- > On request: Optional filter between the non-return valve and the load end

Technical data

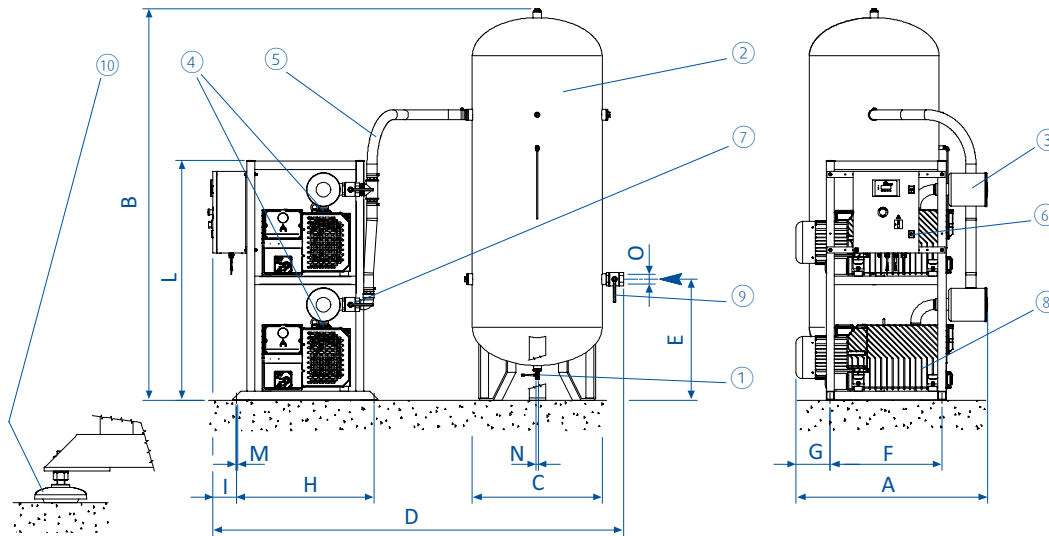
Item no.	Safety tank volume of vacuum tank [l]	Suction power at 50 Hz [m ³ /h]	Suction power at 60 Hz [m ³ /h]	Final vacuum [%]	Rated power at 50 Hz [kW]	Rated power at 60 Hz [kW]	Weight [kg]
VZ.2xDO.25C-3/300L	300	50	58	99	2x0.75	2x0.90	165
VZ.2xDO.40B-3/300L	300	80	96	99	2x1.1	2x1.35	195
VZ.2xDO.40B-3/500L	500	80	96	99	2x1.1	2x1.35	280
VZ.2xDO.60C-3/300L	300	120	150	99	2x1.5	2x1.8	200
VZ.2xDO.60C-3/500L	500	120	150	99	2x1.5	2x1.8	285
VZ.2xDO.105C-3/500L	500	210	250	99	2x2.2	2x2.7	340
VZ.2xDO.205C-3/1000L	1,000	410	490	99	2x4	2x4.8	580
VZ.2xDO.305C-3/1000L	1,000	610	730	99	2x7.5	2x9	600



Dimensions



VZ.2xDO.25C-3/300L | VZ.2xDO.40B-3/300L | VZ.2xDO.40B-3/500L | VZ.2xDO.60C-3/300L | VZ.2xDO.60C-3/500L | VZ.2xDO.105C-3/500L



VZ.2xDO.205C-3/1000L | VZ.2xDO.305C-3/1000L

- ① = Condensate blow-off valve ② = Vacuum tank ③ = Filter ④ = Check valve ⑤ = Reinforced PVC tubing ⑥ = Switchbox
 ⑦ = Vacuum pump blocking valve ⑧ = Vacuum pump ⑨ = Connection valve of the system ⑩ = Vibration absorber

Item no.	A [mm]	B [mm]	C [mm]	D [mm]	E [mm]	F [mm]	G [mm]	H [mm]	I [mm]	L [mm]	M	N	O
VZ.2xDO.25C-3/300L	498	1,322	512	1,626	330	454	245	895	410	50	4xØ13	G1/4	G1 1/2
VZ.2xDO.40B-3/300L	502	1,320	512	1,620	330	454	245	895	404	50	4xØ13	G1/4	G1 1/2
VZ.2xDO.40B-3/500L	624	1,329	540	2,020	385	480	300	1,020	543	60	4xØ13	G1/4	G2
VZ.2xDO.60C-3/300L	502	1,320	512	1,620	330	454	245	895	404	50	4xØ13	G1/4	G1 1/2
VZ.2xDO.60C-3/500L	624	1,429	540	2,020	385	480	300	1,020	541	60	4xØ13	G1/4	G2
VZ.2xDO.105C-3/500L	707	1,429	540	2,020	385	480	396	1,020	541	60	4xØ13	G1/4	G2
VZ.2xDO.205C-3/1000L	1,068	2,381	790	2,500	738	680	109	835	145	1,460	4xØ13	G1/2	G2
VZ.2xDO.305C-3/1000L	1,138	2,381	790	2,500	738	680	179	835	145	1,460	4xØ13	G1/2	G2