

To:

FIPA GmbH | Germany
 Fax +49 89 962489-11 | info@fipa.com

FIPA Inc. | USA
 Fax +1 919 5730871 | sales.us@fipa.com

FIPA Ltd. | Thailand
 Fax +66 2 16870-37 | sales.th@fipa.com

From:

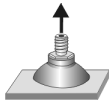
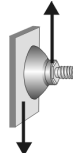
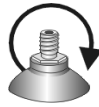
Company: _____
 Name: _____
 Street: _____
 City/Country/Zipcode: _____
 Phone/Fax: _____
 Email: _____
 Industry: _____

Vacuum Unit

Please answer the following questions carefully so we can select the vacuum unit best suited for your purpose. Please note that you can type in the document; printing out is not necessary. Please e-mail or fax this form back to us.

1. Please quote for the following application:

2. What kind of parts are you handling?

3. The objects are:	4. Dimensions, Weight:	5. Lifting direction:	6. Surface:	7. Temperature:
<input type="checkbox"/> round <input type="checkbox"/> oval <input type="checkbox"/> square <input type="checkbox"/> rectangular <input type="checkbox"/> curved <input type="checkbox"/> unstable 3a. Material: _____	Length _____ mm Width _____ mm Height _____ mm Diam. _____ mm Weight _____ g/kg	<input type="checkbox"/>  <input type="checkbox"/>  <input type="checkbox"/> 	<input type="checkbox"/> smooth <input type="checkbox"/> rough <input type="checkbox"/> textured <input type="checkbox"/> rippled <input type="checkbox"/> oily <input type="checkbox"/> scaled <input type="checkbox"/> wet <input type="checkbox"/> dry <input type="checkbox"/> porous	briefly _____ °C (_____ °F) continuously + _____ °C (_____ °F) - _____ °C (_____ °F)
			8. Use: <input type="checkbox"/> indoor <input type="checkbox"/> outdoor	

9. Vacuum generating:

Vacuum pump
 Vakuüm ejector
 existing
 not existing
 Power capacity _____

Vacuum Suction Cups

16. In use?

no
 yes, following type _____

17. Annual requirement? approx. _____ pieces

10. Duty cycle _____
11. Distance _____
12. Suck in time _____
13. Positioning accuracy _____
14. Acceleration: _____
15. Environment _____

FIPA will gladly perform individual handling tests free of charge on samples of the objects to be carried. Alternatively please feel free to request sample cups for your own tests.